



SOUNDWELL®

<http://soundwell-cn.com>

RC1003 Series POTENTIOMETER

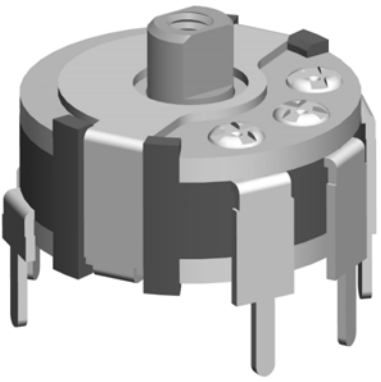
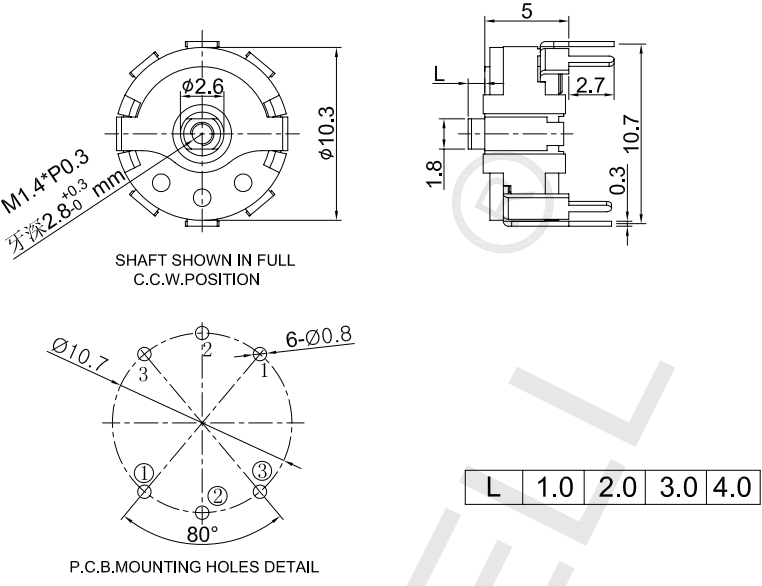


企业微信，扫码有惊喜



升威官网，发现更多产品

MODEL 品名	DIMENSIONS 尺寸	UNIT:mm
----------	---------------	---------

<p>RC1003GOX0X-HA2</p> 	 <p>SHAFT SHOWN IN FULL C.C.W.POSITION</p> <p>P.C.B.MOUNTING HOLES DETAIL</p> <table border="1" data-bbox="1093 840 1396 873"> <tr> <td>L</td> <td>1.0</td> <td>2.0</td> <td>3.0</td> <td>4.0</td> </tr> </table>	L	1.0	2.0	3.0	4.0
L	1.0	2.0	3.0	4.0		

RC1003 SERIES CIRCUIT DIAGRAM

